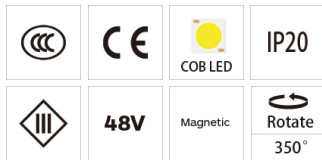
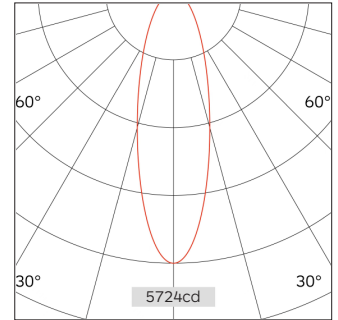
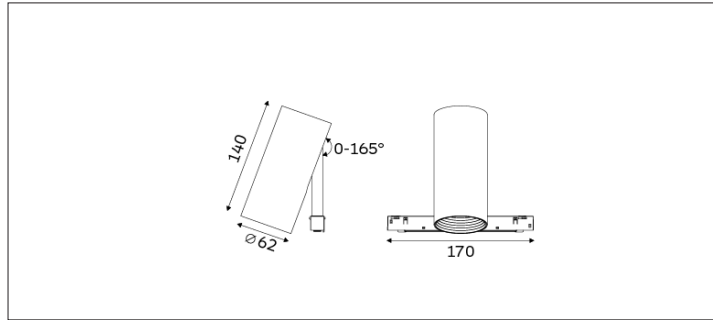
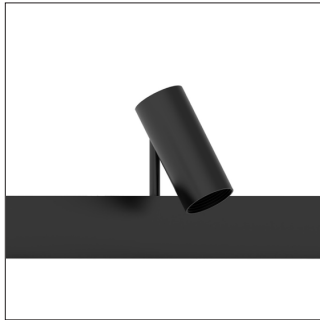


62.06215 OPAL Track Lighting



Connected Load	15W
Colour Temperature	2700/3000/3500/4000K
Colour Rendition Index	CRI 90
Optics	LENS
Beam Angle	16D/27D/35D/52D
Track	Low Voltage Track
Light Distribution	OPAL Track Lighting
Luminous Flux Of The Luminaire	1296lm
Luminaire Efficacy	84lm/W
Colour Deviation	SDCM <5
Light Source	LED
LED Type	COB
Dimming Method	1-10V/ Dali
Cover Material	Aluminum
Body Material	Aluminum
IP Rating	IP20
Housing Colour	Sandy White/ Sandy Black
Weight	0.5Kg
Technical Region	Input 48V

Light Beam Talbe		
h(m)	E(lx)	D(m)
		27°
1.0	5724	0.47
2.0	1431	0.95
3.0	636	1.42
4.0	357	1.90
5.0	228	2.37

It is an individual solution with a high degree of flexibility. all inserts are mounted completely without tools and held within the profile by a magnetic force. With just one flick of the wrist, you can adjust the inserts as needed at any time to set the scene for your desired object. Application areas: residential, hotel, restaurants, retail and other high-end places.